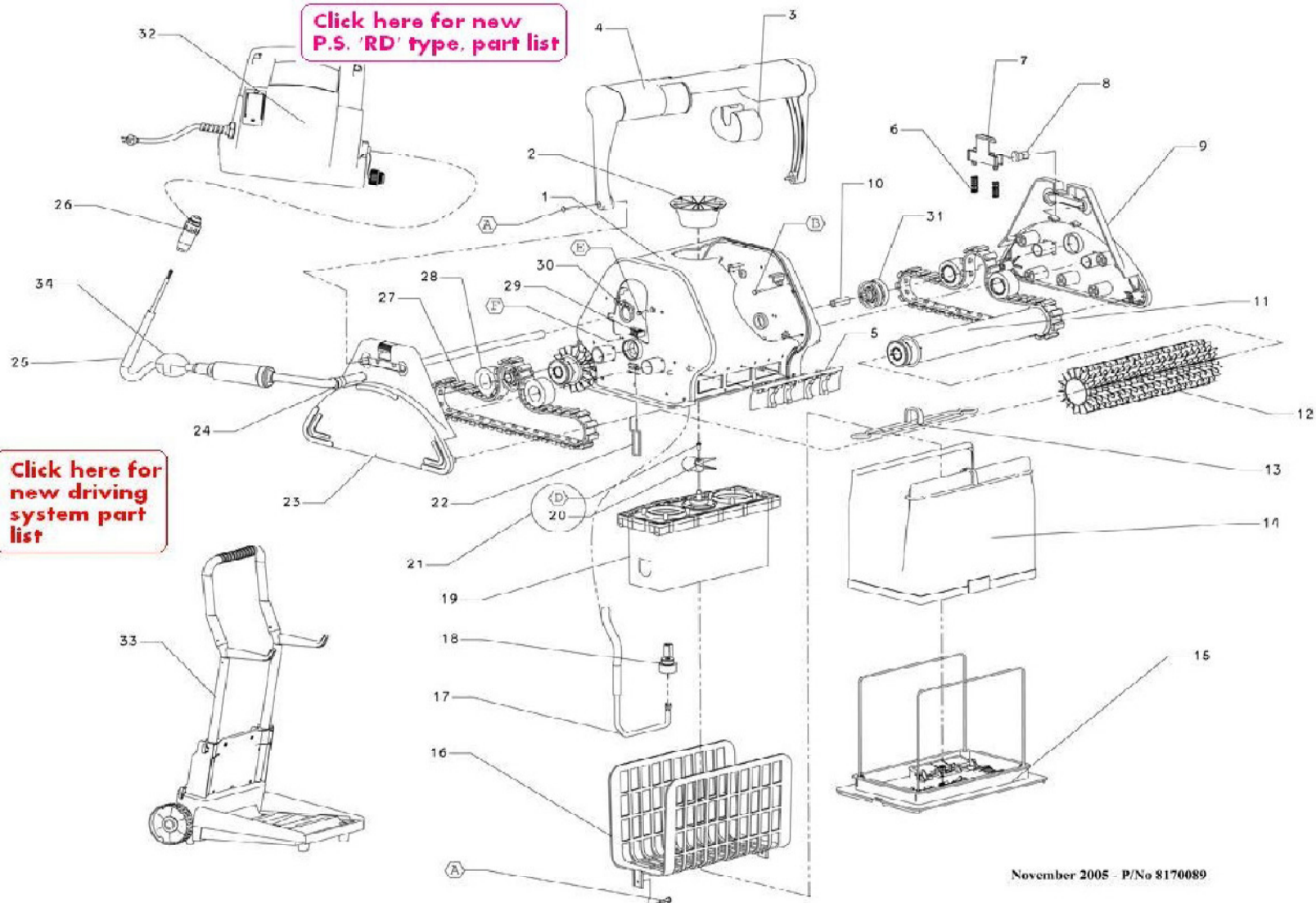




ILLUSTRATED BILL OF MATERIAL AND DISTRIBUTOR PRICE LIST:
DOLPHIN 3001 (9999321)



BILL OF MATERIAL

9999321 -- DOLPHIN 3001

Number	Child Part Number	Part Description	DIY	MSRP
2	9995075	IMPELLER TUBE-RED	Y	\$7.00
3	9995741	HANDLE FLOAT - YELLOW	Y	\$11.00
4	9995685	HANDLE RED AND YELLOW	Y	\$32.00
12	6101303	PVC BRUSH DIAG - RED	Y	\$39.99
13	9981430	FILTER BAG CLIP	Y	\$2.29
14	9995431-ASSY	COARSE FILTER BAG	Y	\$49.99
14	9991440-ASSY	DISPOSABLE FILTER BAG -PACK OF 5	Y	\$60.00
15	9995550	BOTTOM LID ASSY+SUPPORT (2005)	Y	\$49.00
16	6203703	FILTER SCREEN	Y	\$13.40
21	9995269	IMPELLER+SCREW DC	Y	\$9.40
32	9995658-ASSY	P.S.DIAGNOSTIC 115V	Y	\$288.00
33	9996092	DOLPHIN CADDY	Y	\$130.00
34	99960086	CABLE FLOAT L.BLUE	Y	\$20.40