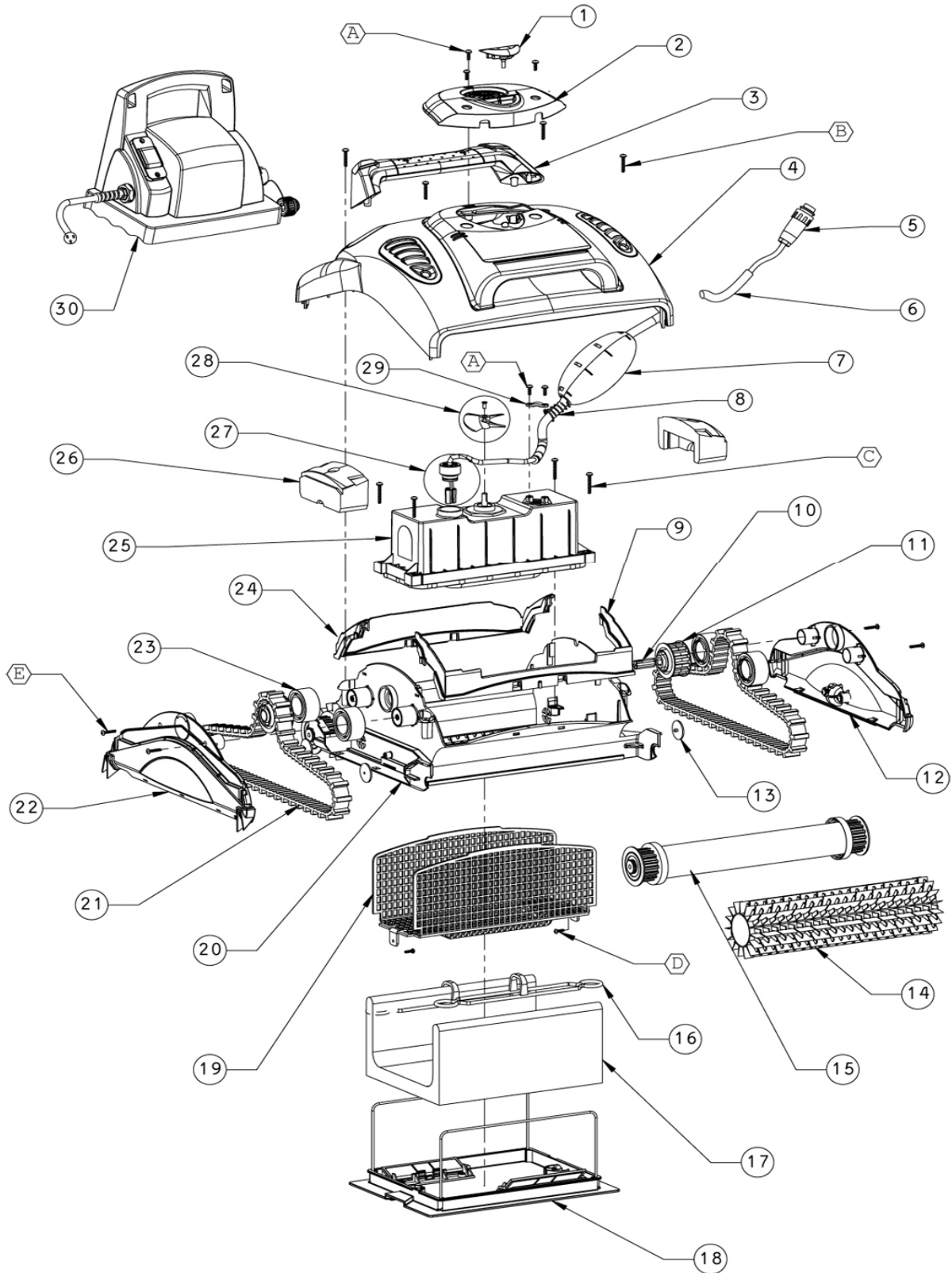




ILLUSTRATED BILL OF MATERIAL AND DISTRIBUTOR PRICE LIST:
DOLPHIN dx3 (99996331-DX3)



BILL OF MATERIAL

99996331-DX3 - DOLPHIN dx3

Number	Child Part Number	Part Description	DIY	MSRP
2	9982350	DX3 IMPELLER COVER	Y	\$20.41
6	9995765-DIY	CABLE ASSY DX3/DX4 17M W/CONNECTION INSTALLED	Y	\$140.00
14	6101602	PVC BRUSH DIAG. - GREY	Y	\$4.00
15	99955951-ASSY	DIAG. BASIC - WHEEL TUBE ASSY TT	Y	\$27.00
16	9981430	FILTER BAG CLIP	Y	\$2.29
17	99954301-ASSY	FILTER BAG DX3/ORION	Y	\$50.00
18	99919116	BOTTOM LID ASSY D.BASIC+SUPPORT	Y	\$28.79
19	9982300	DIAG. BASIC - FILTER SCREEN	Y	\$7.21
21	9985006	TIMING TRACK - GREY	Y	\$21.70
26	6250931	INTERNAL FLOAT	Y	\$1.87
28	9995269	IMPELLER+SCREW DC	Y	\$9.40
30	99956002RD-ASSY	DIAG.BASIC-POWER SUPPLY 115V	Y	\$225.00
OTHER	9991412-ASSY	DX3/DX4 CARTRIDGE ASSY & 4 FILTERS	Y	\$50.00