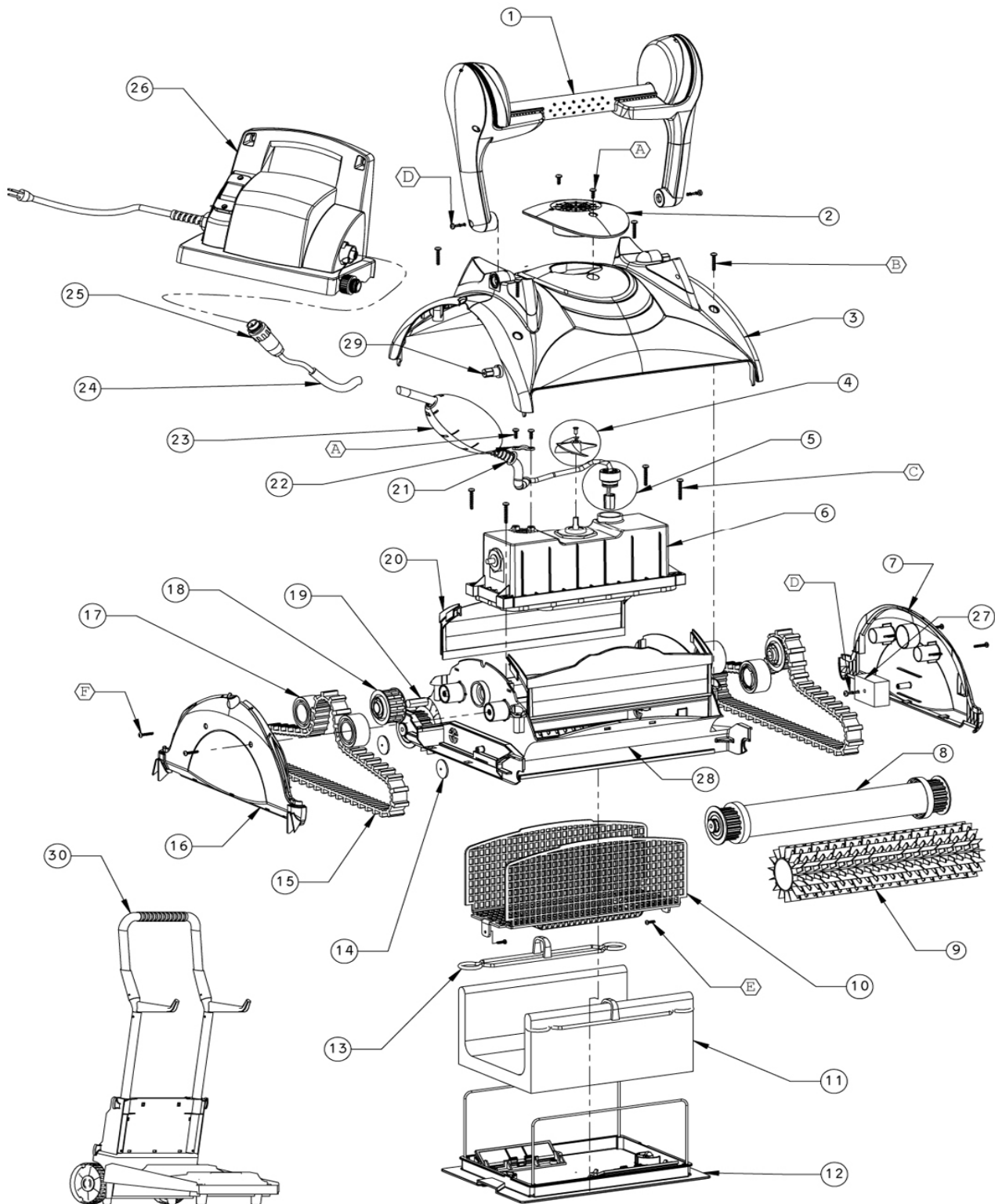




ILLUSTRATED BILL OF MATERIAL AND DISTRIBUTOR PRICE LIST:
DOLPHIN dx4 (99996341-DX4)



January 2007 - P/No 8170112

BILL OF MATERIAL

99996341-DX4 - DOLPHIN dx4

Number	Child Part Number	Part Description	DIY	MSRP
1	99957019-ASSY	DX4 HANDLE ASSEMBLY	Y	\$5.76
9	6101602	PVC BRUSH DIAG. - GREY	Y	\$39.99
10	9982300	DIAG. BASIC - FILTER SCREEN	Y	\$7.21
11	99954302-ASSY	DX4 FILTER BAG	Y	\$59.99
12	99919116	BOTTOM LID ASSY D.BASIC+SUPPORT	Y	\$28.79
13	9981430	FILTER BAG CLIP	Y	\$2.29
15	9985006	TIMING TRACK - GREY	Y	\$21.70
23	99960081	FLOAT ASSY D.BASIC FLOAT BLUE	Y	\$20.40
24	9995765-DIY	CABLE ASSY DX3/DX4 17M W/CONNECTION INSTALLED	Y	\$140.00
26	99956002RD-ASSY	DIAG.BASIC-POWER SUPPLY 115V	Y	\$225.00
26	1930251	FUSE 2.5A 5X20	Y	\$1.00
30	9996096	CADDY FOR DIAGNOSTIC BASIC	Y	\$158.40
OTHER	9991412-ASSY	DX3/DX4 CARTRIDGE ASSY & 4 FILTERS	Y	\$50.00